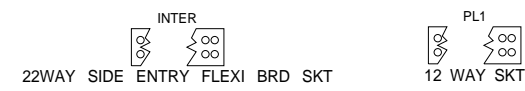
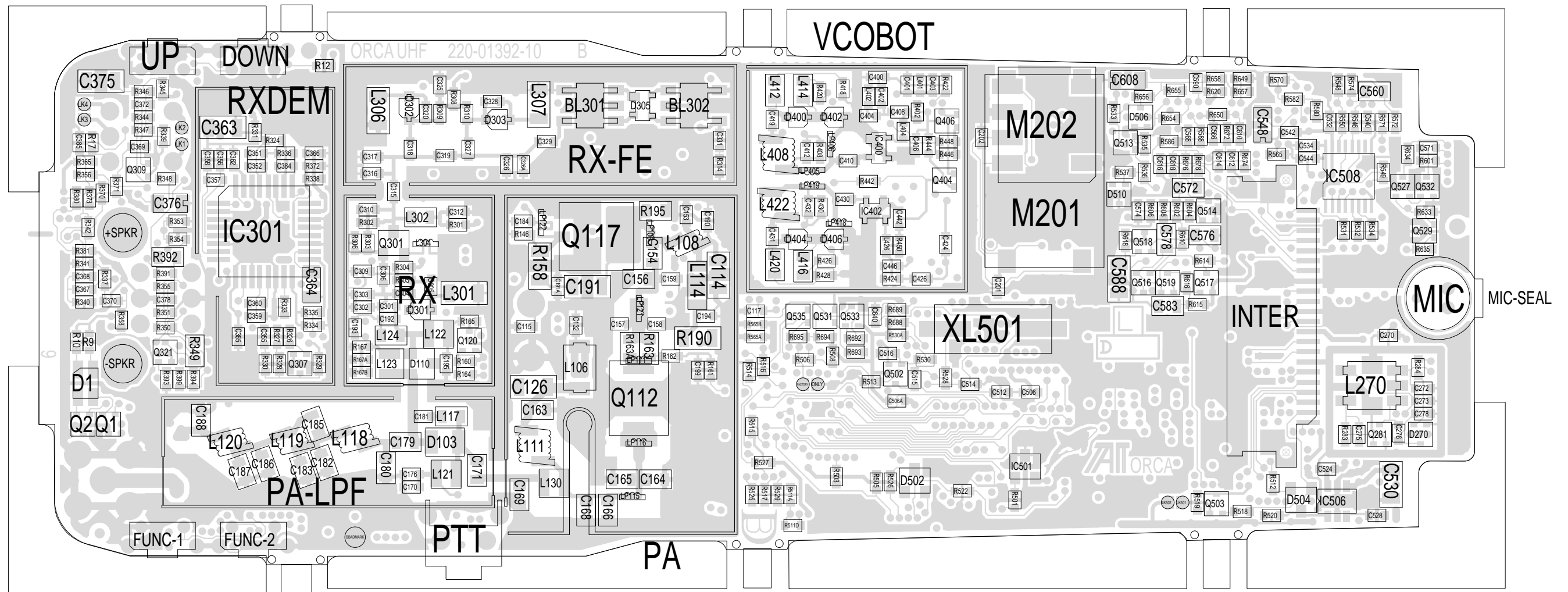


REV/ISS	AMENDMENTS	DRAWN	CHKD	D.O.	APVD	DATE
10B	CHANGED C572 FROM 0603 TO 0805	BRD				11-5-99
10A	MUTE MOD/ALC/BIRDY MODS	BRD				11-03-99
09A	UPDATES TO COIL PADS	BRD				04/02/99
05	MOREUPDATES	DBH				
04	UPDATED AND MOVED AERIAL SOCKET	MAJ				
03 B	UPDATED VALUES ADDED CANS TO PLA	MAJ				

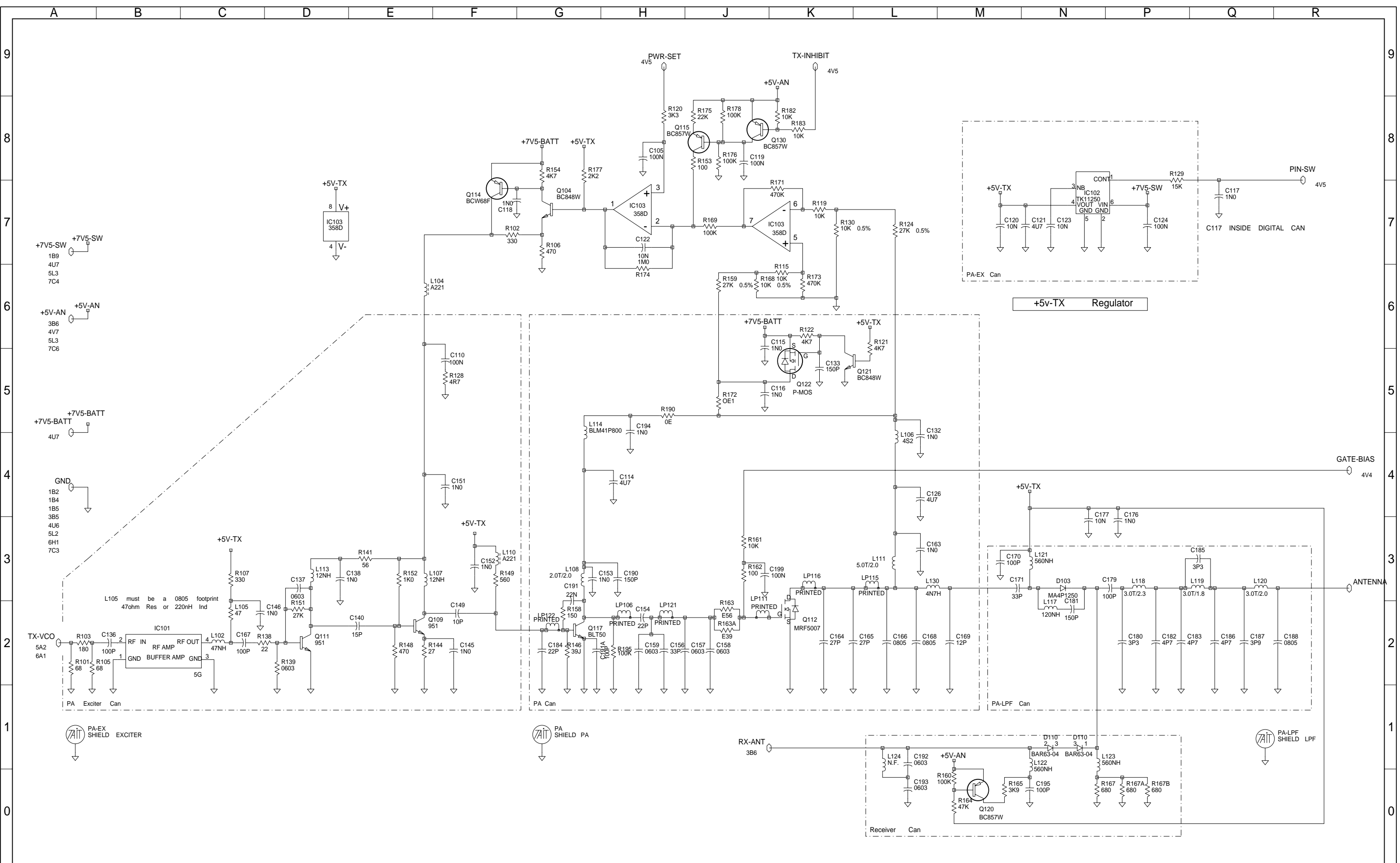
10D	REGENERATE PLC, PLA	CCN	No.1392-005	TS		05-10-99
10C	SPRING PINS SMD, SEALS TO NONSMD	CCN <th>No.1392-004</th> <th>TS</th> <td></td> <td>24-09-99</td>	No.1392-004	TS		24-09-99



© **TAIT ELECTRONICS**
ORCA : 400-440MHZ SYSTEM DIAGRAM
 IPN: 220-01392-10 ISSUE: E ID: 2.S.C. 1
 PROJECT: ORCA DESIGNER: BRD/TS FILE NAME: 139210e FILE DATE: 28-Oct-99 NO.SHEETS: 7



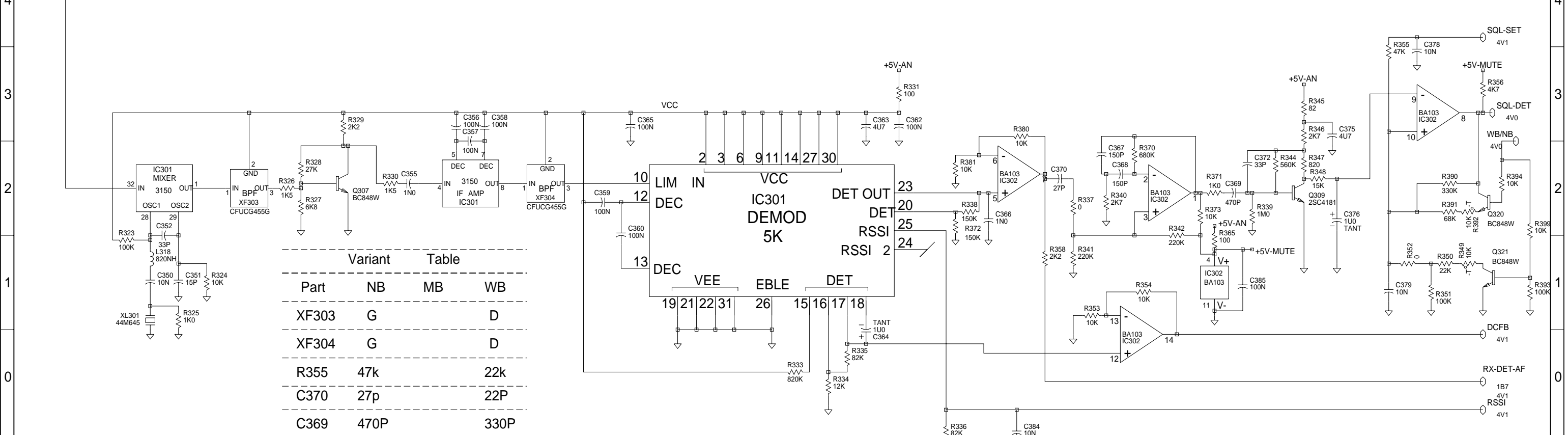
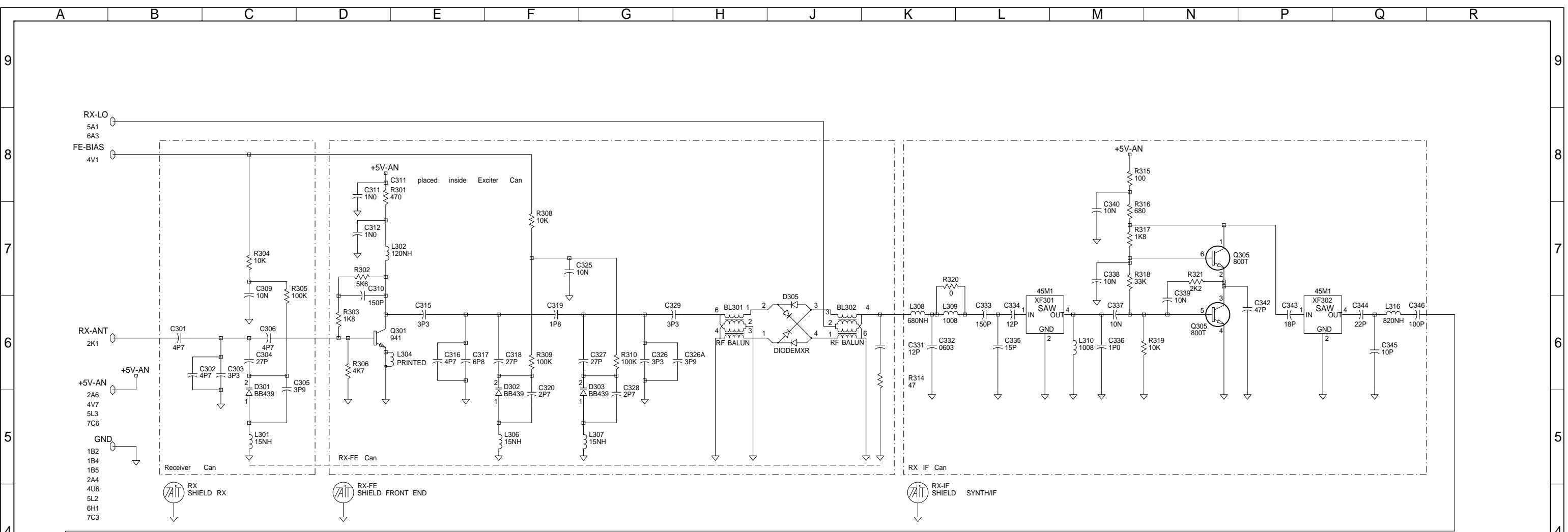
TAIT ELECTRONICS IPN: 220-01392-10 ISS: -10B ID: 6.BA DATE: 13 May 1999
 ORCA UHF PCB LAYOUT - BOTTOM SIDE



L105 must be a 0805 footprint
47ohm Res or 220nH Ind

10E		CHANGE D103 TO MA4P1250	ECO	No.50-0411	TS		28-10-99
REV/ISS	AMENDMENTS		DRAWN	CHKD	D.O.	APVD	DATE
A	B	C	D	E	F	G	

© TAIT ELECTRONICS	
ORCA : 400-440MHZ POWER AMPLIFIER	
IPN: 220-01392-10	ISSUE: E
DESIGNER: BRD/TS	FILE DATE: 28-Oct-99
PROJECT: ORCA	NO.SHEETS: 7

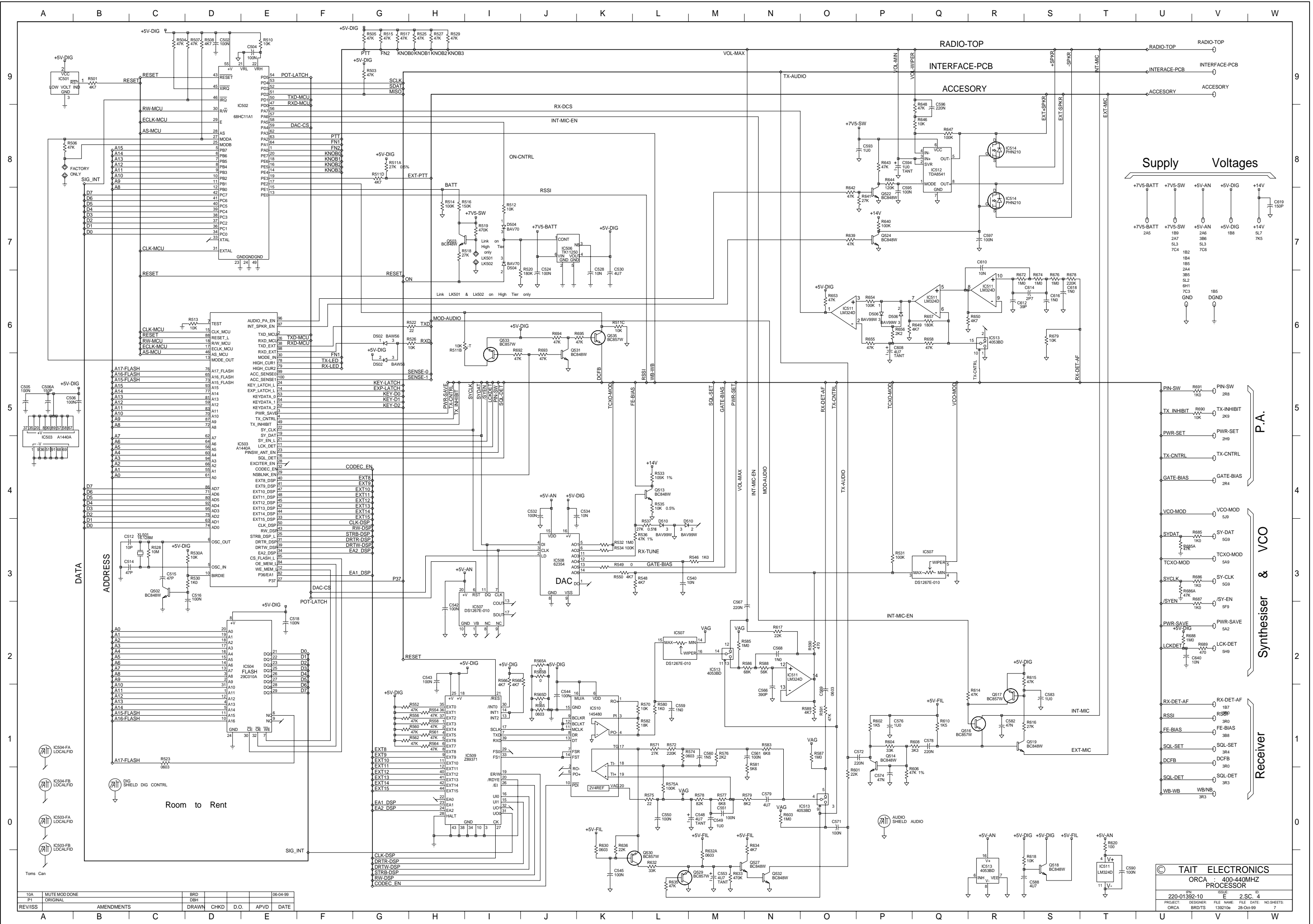


Variant Table

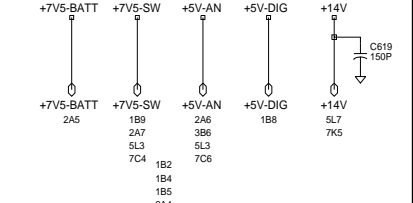
Part	NB	MB	WB
XF303	G		D
XF304	G		D
R355	47k		22k
C370	27p		22P
C369	470P		330P
R390	330k		68k

© TAIT ELECTRONICS
 ORCA : 400-440MHZ RECEIVER
 IPN: 220-01392-10 ISSUE: E ID: 2.S.C. 3
 PROJECT: ORCA DESIGNER: BRD/TS FILE NAME: 139210e DATE: 28-Oct-99 NO.SHEETS: 7

REV/ISS	AMENDMENTS	DRAWN	CHKD	D.O.	APVD	DATE



Supply Voltages



- PIN-SW 28B
- TX-INHIBIT 28J
- PWR-SET 28H
- TX-CNTRL 28K
- GATE-BIAS 28L
- VCO-MOD 510
- SY-DAT 509
- TCXO-MOD 509
- SY-CLK 509
- SY-EN 509
- PWR-SAVE 509
- LCK-DET 509
- RX-DET-AF 187
- RSSI 380
- FE-BIAS 388
- SOL-SET 384
- SOL-DET 383
- WB-WB 383

P.A.

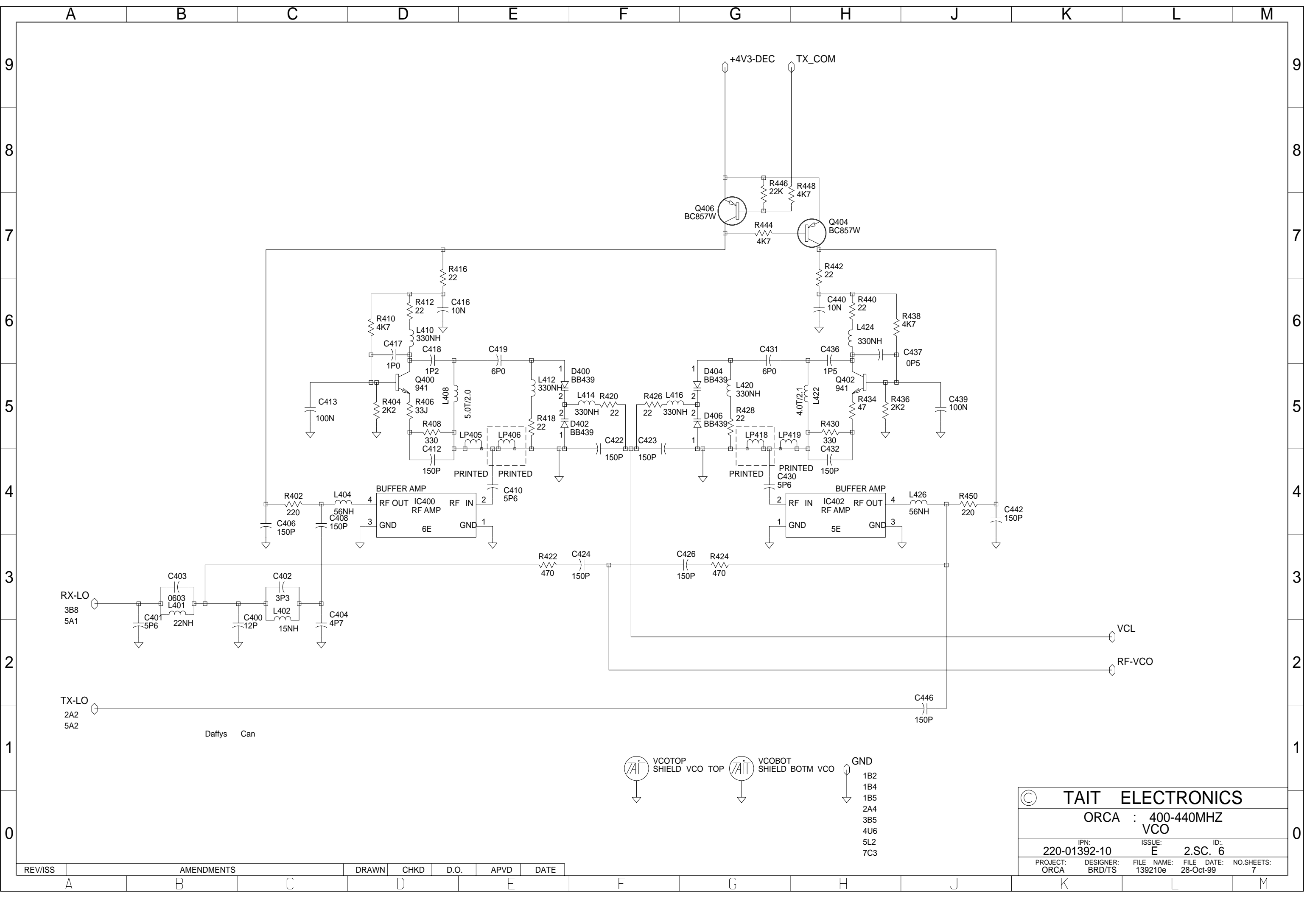
Synthesiser & VCO

Receiver

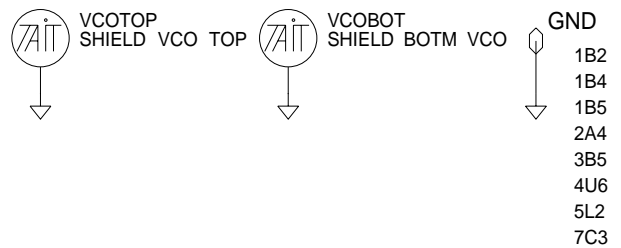
Room to Rent

10A	MUTE MOD DONE	BRD	06-04-99
P1	ORIGINAL	DBH	
REV/ISS	AMENDMENTS	DRAWN	CHKD
		D.O.	APVD
			DATE

© TAIT ELECTRONICS
 ORCA : 400-440MHZ
 PROCESSOR
 220-01392-10
 2-SC-4
 PROJECT: DESIGNER: FILE NAME: FILE DATE: NO SHEETS: 7



Daffys Can



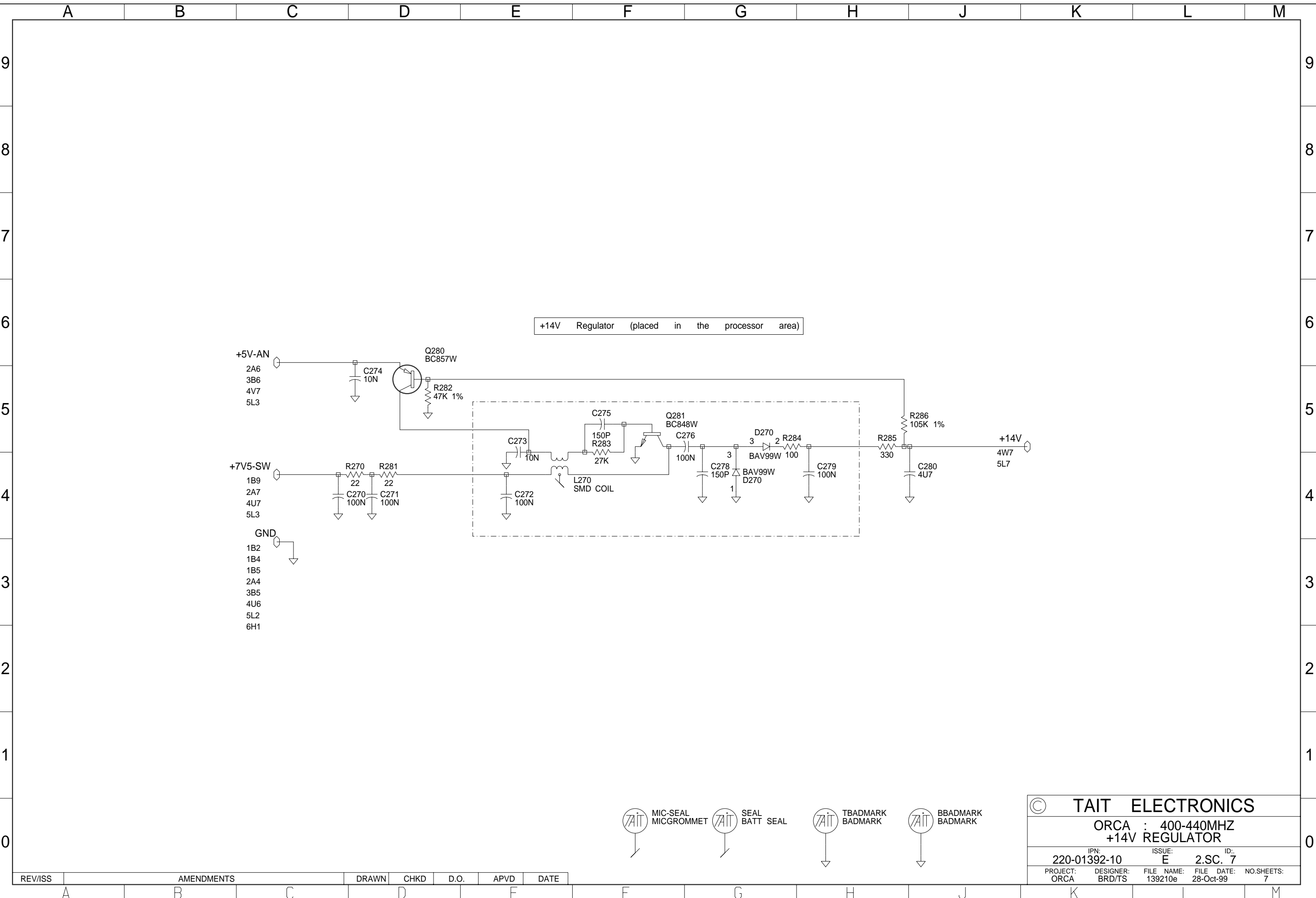
© TAIT ELECTRONICS

ORCA : 400-440MHZ
VCO

IPN: 220-01392-10 ISSUE: E ID: 2.SC. 6

PROJECT: ORCA DESIGNER: BRD/TS FILE NAME: 139210e FILE DATE: 28-Oct-99 NO.SHEETS: 7

REV/ISS	AMENDMENTS	DRAWN	CHKD	D.O.	APVD	DATE



+14V Regulator (placed in the processor area)

- MIC-SEAL
MICGROMMET
- SEAL
BATT SEAL
- TBADMARK
BADMARK
- BBADMARK
BADMARK

© TAIT ELECTRONICS				
ORCA : 400-440MHZ +14V REGULATOR				
IPN: 220-01392-10	ISSUE: E	ID: 2.SC. 7		
PROJECT: ORCA	DESIGNER: BRD/TS	FILE NAME: 139210e	FILE DATE: 28-Oct-99	NO.SHEETS: 7

REV/ISS	AMENDMENTS	DRAWN	CHKD	D.O.	APVD	DATE